



WORKING BEYOND LIMITS



PowerBully
TRACK CARRIER

**WORKING
BEYOND
LIMITS**

**I won't give up.
I won't turn back.
I won't stop.
Where others give up,
my mission starts.**

I am

PowerBully
TRACK CARRIER



PowerBully gets the job done anytime at any place.



Payload

With a payload of 16.6 metric tons (36,600 lbs), PowerBully reliably transports people, materials and equipment to hard-to-reach locations.



No limitations

Thanks to its off-road driving potential, PowerBully masters uneven terrain, mud, swamps and obstacles with ease.



Low impact

With our ultra low ground pressure, PowerBully protects soils and sensitive terrains.



Gets you through

With a fording depth of 1,400 mm (51.2") PowerBully masters flooded areas or swamps effortlessly.



Ready for action at any time

Powerful components and a rugged design ensure that PowerBully is always ready for action, no matter if in arctic cold or desert heat.



INDUSTRIES AND APPLICATIONS



It takes you anywhere
In the most challenging conditions, wherever your job takes you, PowerBully is at home. Our off-road vehicles with payloads from 7,500 - 16,600 kg (16,500 to 36,600 lbs) bring people, equipment and material safely and reliably to any job site.

C CHASSIS



... and many more!



PowerBully track carriers are mobile platforms for derricks, aerials, cranes, drill rigs, material holding and almost anything else you can think of. Our standardized electrical and mechanical interfaces ensure that the upfitting process is both cost and time efficient.



Frame
Chassis frames are standard truck width (34") and manufactured with pre-drilled frame holes for ease of install.



Power take-off (PTO)
The power take-off (PTO) allows the entire engine power to be used for the operation of superstructures. The continuous power of the auxiliary pump is 149 kW (600 Nm).



Electrical interfaces
Electrical interfaces provide 12V or 24V for the power supply of superstructures. The electrical interfaces enable precise coordination between the PowerBully and the upfit.

TECHNICAL SPECIFICATIONS	9C	12C	18T
Payload	9,000 kg 19,900 lbs	13,200 kg 29,100 lbs	16,600 kg 36,600 lbs
Tare weight	11,080 kg 24,400 lbs	13,140 kg 28,900 lbs	13,200 kg 29,100 lbs
Ground pressure (empty)	0.19 kg/cm ² 2.70 psi	0.22 kg/cm ² 3.12 psi	0.17 kg/cm ² 2.41 psi
Ground pressure (loaded)	0.35 kg/cm ² 4.97 psi	0.44 kg/cm ² 6.25 psi	0.39 kg/cm ² 5.55 psi
DIMENSIONS			
Overall length	5,646 mm 222"	6,036 mm 238"	8,228 mm 324"
Overall width	2,590 mm 102"	2,590 mm 102"	3,077 mm 121"
Overall height	2,857 mm 112"	3,005 mm 118"	3,395 mm 134"
Fording depth	1,200 mm 47"	1,300 mm 51"	1,400 mm 55"
Ground clearance	390 mm 15"	532 mm 21"	600 mm 24"
Frame width	864 mm 34"	864 mm 34"	864 mm 34"
Frame extensions optionally available			
TRACKS			
Type	Metal embedded endless rubber tracks	Metal embedded endless rubber tracks	High performance rubber X-Track
Width	700 mm 27.5"	750 mm 29.5"	1,030 mm 40.5"
ENGINE			
Type	Cummins B6.7 Turbo Diesel	Cummins B6.7 Turbo Diesel	Cummins B6.7 Turbo Diesel
No. of cylinders	6	6	6
Displacement	6.7 l / 6,700 ccm	6.7 l / 6,700 ccm	6.7 l / 6,700 ccm
Power output @ 2,000 rpm	173 kW / 235 hp	209 kW / 285 hp	231 kW / 310 hp
Max. torque @ 1,500 rpm	949 Nm 700 ft lb	1,288 Nm 950 ft lb	1,288 Nm 950 ft lb
Emission standard	EU Stage V Tier 4f	EU Stage V Tier 4f	EU Stage V Tier 4f
Max. speed	14.5 km/h 9.0 mph	14.5 km/h 9.0 mph	13 km/h 8.1 mph

D DUMPER



All-body Hardox material



Fast unloading thanks to low tipping and lowering time and tilting angles of over 60°



Optionally available with mechanical tailgate

Due to the ground clearance during tipping, the material can be unloaded over high edges



PowerBully crawler carriers efficiently transport large amounts of material through rough terrain. The rugged design and the high off-road capability provide maximum safety during operations and under challenging conditions.



Easy joystick operation
The joystick for operating the dump bed is located on the control panel on the armrest. The dump bed can be lowered with a single tap only, even while driving.

TECHNICAL SPECIFICATIONS	9D		12D	
Payload	7,500 kg	16,500 lbs	11,500 kg	25,400 lbs
Tare weight	12,450 kg	27,400 lbs	14,880 kg	32,800 lbs
Ground pressure (empty)	0.22 kg/cm ²	3.12 psi	0.24 kg/cm ²	3.41 psi
Ground pressure (loaded)	0.35 kg/cm ²	4.97 psi	0.44 kg/cm ²	6.25 psi
Capacity ISO 6483 heaped	5.0 m ³	6.5 yd ³	6.4 m ³	8.4 yd ³
Capacity	3.0 m ³	4.0 yd ³	4.5 m ³	5.9 yd ³
DIMENSIONS	Overall length		6,093 mm 239"	
Overall width		2,590 mm 102"		
Overall height		2,857 mm 112"		
Fording depth		1,200 mm 47"		
Ground clearance		390 mm 15"		
Frame width		864 mm 34"		
TRACKS	Type		Metal embedded endless rubber tracks	
Width		700 mm 27.5"		
750 mm 29.5"				
ENGINE	Type		Cummins B6.7 Turbo Diesel	
No. of cylinders		6		
Displacement		6.7 l / 6,700 ccm		
Power output @ 2,000 rpm		173 kW / 235 hp		
Max. torque @ 1,500 rpm		949 Nm 700 ft lb		
Emission standard		EU Stage V Tier 4f		
Max. speed		14.5 km/h 9.0 mph		
		14.5 km/h 9.0 mph		

STRONG DRIVE FOR MAXIMUM PERFORMANCE

Power becomes efficiency

A powerful 6-cylinder Cummins engine empowers the vehicles for off-road use. The hydrostatic drive allows precise maneuvering in challenging environments. PowerBully reaches speeds of up to 14.5 km/h (9 mph).



Master of gradeability

With a climbing ability of 60% uphill/downhill and 40% sideways, PowerBully reliably and safely works even on steep slopes.

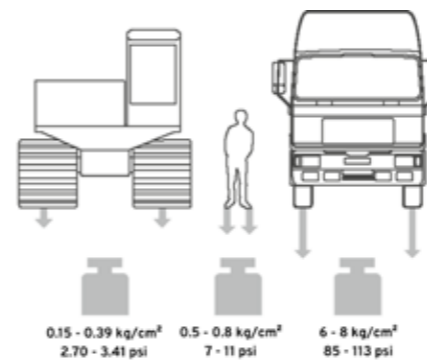
Safely to the job site

With PowerBully you work safely and comfortably in rough terrain: The large wheels and the wide tracks optimally adapt to the ground and offer stability and smooth ride.



Gentle and reliable

Due to the large ground contact of our rubber tracks, the PowerBully is your low ground pressure (PSI) track carrier that does not disturb the terrain you are working within, while also being able to drive over roads.



Endless rubber track



X-Track

Easy maintenance for more uptime

All service points are easy to access.



Changing the air filter



Check the oil level



Easy checking of oil levels through windows

SAFE WORKPLACE

Your safety is our motivation

When it comes to the safety of your crew, PowerBully knows no compromise. Large windows, a sloped engine hood and the 360° camera system provide good visibility, protecting people around the vehicle. Five LED headlights illuminate the workplace at night and in bad weather. All PowerBully cabs are ROPS/FOPS certified as standard.



Persons standing next to the vehicle are detected thanks to the large windows, adjustable mirrors and the rearview camera.



6 LED headlights provide the best visibility in darkness and bad weather.

Comfort enhances performance

The spacious PowerBully cabin is designed for long workdays. The suspended driver's seat, intuitive control of the vehicle and the ergonomic arrangement of the controls ensure full concentration under tough operating conditions.



Choose between the adjustable steering wheel or the intuitive single-hand joystick.



The suspended driver's seat can be individually adjusted.



Important vehicle functions can be controlled easily via the control panel on the armrest. Moreover, the armrest provides storage for smartphones and other devices.



The spacious cabin provides ample room for the driver and generous storage for equipment and personal items.



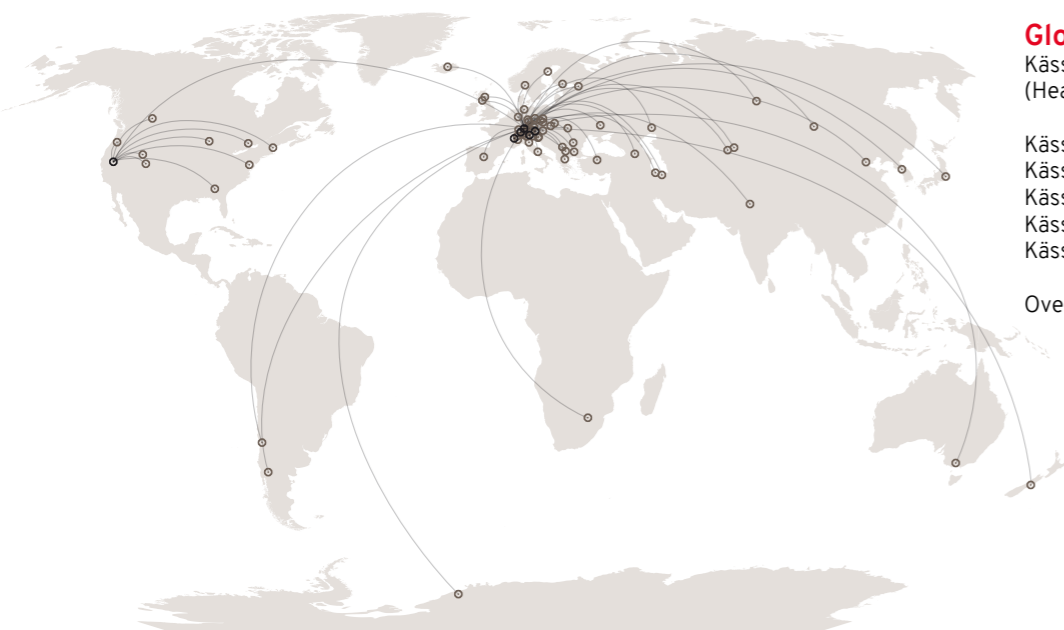
Display and control of settings on the 11" iTerminal with touch screen.

iTerminal - Overview:

- 360° „birds-eye“ camera or rear view camera system
- Inclination sensor with acoustic warning function
- Display of fuel levels - Vehicle information (e. g. fuel consumption)
- Maintenance information (e. g. service intervals, engine hours)
- Lighting settings
- ... and many more

OFF-ROAD EXPERT FOR MORE THAN 50 YEARS

As the market leader for snow groomers and beach cleaning equipment, Kässbohrer is an expert for challenging jobs. Since 1969, the company has been developing, producing and selling solutions for steep or impassable terrain. Curiosity, passion and focus on the customer have been the drivers for Kässbohrer innovations.



Global player
Kässbohrer Geländefahrzeug AG
(Headquarters) Laupheim, Germany

Kässbohrer All Terrain Vehicles (USA)
Kässbohrer Austria GmbH
Kässbohrer France E.S.E.
Kässbohrer Italia S.r.l.
Kässbohrer Schweiz AG

Over 65 dealers worldwide.

Brands

Those brands are part of the Kässbohrer company:



PowerBully All-terrain tracked vehicles for transporting heavy payloads through rough terrain



PistonBully Snow groomers for the preparation of ski slopes and cross-country ski trails



BeachTech Machines for cleaning sand and screenable soil

snows@t Cross-domain digital solutions for the skiing industry
SOLUTIONS FOR DIGITAL SKI WORLDS

PRO ACADEMY Training and consulting for the sustainable use of our products

COMPOSITES Manufacturer for fiber composite materials



Always on the spot
At over 130 service stations worldwide, the Kässbohrer service team ensures maximum operational reliability 365 days a year. Combined with the high availability of spare parts, this guarantees fast support in the event of service and minimum downtimes.



Fast help
Via the telemetry interfaces, the position data of the vehicles can be seen at all times. Service technicians can read out error codes remotely and prepare themselves optimally to provide assistance in the shortest possible time.



Ready for the future
All entrepreneurial processes are against the background of sustainability. For example, all vehicles are filled with synthetic HVO fuel when they are delivered. Learn more:





BECOME A POWERBULLY DEALER!

Expand your portfolio with the high-performance PowerBully tracked vehicles and benefit from over 50 years of off-road experience!

**WORKING
BEYOND
LIMITS**

Kässbohrer Geländefahrzeug AG
Kässbohrerstraße 11
88471 Laupheim
Phone +49 (0)7392 900-0
info@powerbully.com
www.powerbully.com

PowerBully
TRACK CARRIER